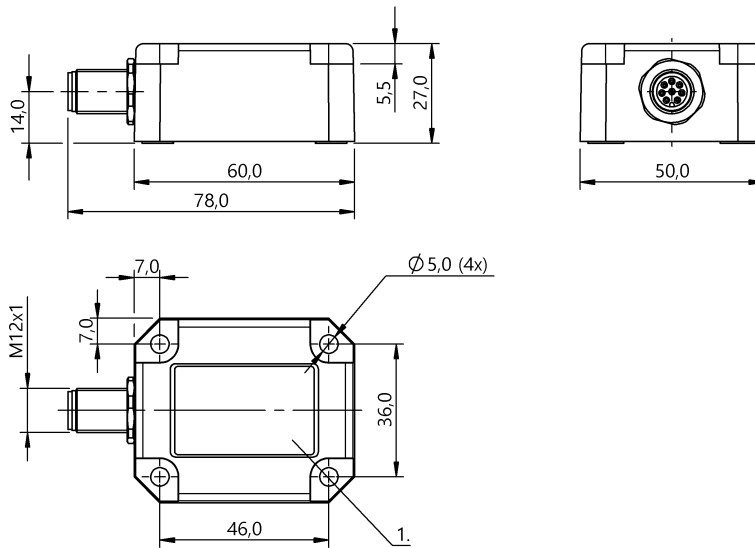


Inclination Sensors
BSI R65K0-XB-MYS030-S115
 Order Code: BSI0007

BALLUFF



Basic features

Approval/Conformity	CE cULus WEEE
Basic standard	EN 61326-1
Measuring principle	MEMS

Electrical connection

Connection	M12x1
Polarity reversal protected	yes
Protection against device mix-ups	no
Short-circuit protection	yes

Electrical data

Current draw max.	25 mA
Load resistance max., analog output	900 Ohm
Operating voltage Ub	10...30 VDC
Protection class	III
Rated operating voltage Ue DC	24 V
Ready delay tv max.	1 s

Environmental conditions

Ambient temperature	-40...80 °C
Contamination scale	3
EN 60068-2-27, Shock	yes
EN 60068-2-6, Vibration	yes
IP rating	IP67
Relative humidity	95 %, non-condensing
Storage temperature	-40...85 °C

Functional safety

MTTF (40 °C)	121 a
--------------	-------

Interface

Analog output	2x Analog, current 4...20 mA
---------------	------------------------------

Material

Housing material	Plastic
------------------	---------

Mechanical data

Dimension	50 x 27 x 78 mm
Measuring axes	2
Mounting part	Threads
Rotation direction	Clockwise
Weight	110.00 g

Range/Distance

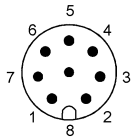
Accuracy	±0.12°
Resolution	≤ 0.01 °
Sampling rate	20 ms
Temperature drift max.	±0.1°/10 K

Remarks

Centering in a range of $\pm 5^\circ$ from horizontal is possible
For more information about MTTF and B10d see MTTF / B10d Certificate

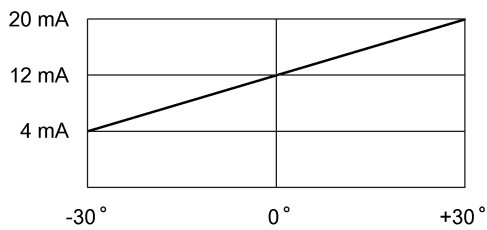
Indication of the MTTF- / B10d value does not represent a binding composition and/or life expectancy assurance; these are simply experiential values with no warranty implications. These declared values also do not extend the expiration period for defect claims or affect it in any way.

Connector Drawings



- PIN 1: Y 4..20 mA
- PIN 2: Vcc
- PIN 3: Int. use
- PIN 4: Int. use
- PIN 5: GND
- PIN 6: Centering
- PIN 7: 4..20 mA
- PIN 8: Shield

Technical Drawings



Output signal measuring range

Help Views

